

外观传承内饰换新 全新牧马人产物手册曝光



正规博彩十大app排名

新车的尾部仅对尾灯组及后保险杠上的灯组造型举行了调整，依旧是硬派的造型。此外该车单边单出的排气结构看上去则略显低调。

克日，有外媒曝光了全新一代牧马人（参配、图片、询价）的产物用户手册，从手册上看，新车的外观没有太多改变，不外内饰则举行了周全升级。据悉，这款车将于11月尾开幕的2017洛杉矶车展公布。

动力方面，全新牧马人将搭载一款全新的2.0T涡轮增压发念头，其最大功率将到达368马力，预计峰值扭矩将到达400N·m。传动方面，外媒推测将接纳纵置8速自动变速箱。除此之外，现款3.6L Pentastar V6发念头也将继续泛起在新一代车型上，其最大功率将为285马力。

全新牧马人前后轴差速锁控制键依旧位于挡把上方，不外其更改为拨片式设计，并接纳红色涂装。而新车的变速箱挡把/分动箱挡把造型也经由了全新设计，看上去越发富有质感。

从手册来看，全新一代牧马人Rubicon四门版车型基本沿用了现款车型的设计气势派头，不外其换装了全新的家族式前格栅设计，前保险杠造型也越发犀利，两侧轮眉配备了LED日间行车灯。



Axle Lock Switch Panel

Transmission Gear Selector

Manual Transmission Shifter

科技设置方面，其支持CarPlay手机互联系统，而且这块8.4英寸中控显示屏还可显示四驱/越野的详细信息。此外，凭据设置差别，新车提供70L和81L两种规格的油箱。

INTERIOR



Interior Features

- 1 — Steering Wheel
- 2 — Uconnect System
- 3 — Climate Controls
- 4 — Power Window Switches

- 5 — Gear Selector
- 6 — Four-Wheel Drive Gear Selector
- 7 — Seats

Drivetrain

The Drivetrain page displays information concerning the vehicle's drivetrain.

The following information is displayed:

- Steering angle in degrees
- Status of Transfer Case
- Status of the Rear Axles — If Equipped



Drivetrain Menu 2WD/4WD

- 1 — Steering Angle
- 2 — Sway Bar
- 3 — Front Axle Locker Status
- 4 — Rear Axle Locker Status

Pitch And Roll

The Pitch And Roll page displays the vehicle's current pitch (angle up and down) and roll (angle side to side) in degrees. The pitch and roll gauges provide a visualization of the current vehicle angle.



Pitch And Roll Menu 2WD/4WD

- 1 — Current Pitch
- 2 — Current Roll

Accessory Gauges

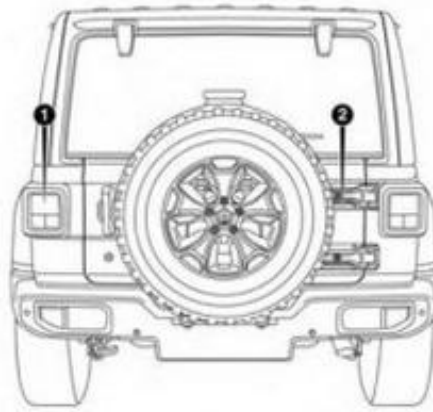
The Accessory Gauges page displays the current status of the vehicle's Coolant Temperature, Oil Temperature, Oil Pressure (Gas Vehicles Only), Transmission Temperature, and Battery Voltage.



Accessory Gauges Menu 2WD/4WD

- 1 — Coolant Temperature
- 2 — Oil Temperature
- 3 — Oil Pressure (Gas Vehicles Only)
- 4 — Battery Voltage
- 5 — Transmission Temperature (Automatic Transmissions Only)





8205122201048

Rear View

- 1 — Rear Lights
- 2 — Swing Gate

全新牧马人的内饰转变很大，多功能偏向盘、仪表盘等处均接纳重新设计。中控台的结构也有了显著改变，空调出风口的位置被设置在中控显示屏两侧，其下方为空调控制区。

3.6L Engine



- 1 — Power Distribution Center (Fuses)
- 2 — Battery
- 3 — Engine Oil Dipstick
- 4 — Engine Oil Fill
- 5 — Engine Coolant Reservoir
- 6 — Engine Coolant Pressure Cap
- 7 — Brake Fluid Reservoir

- 8 — Power Pack Unit Pressure Cap — If Equipped
- 9 — Power Pack Unit Pressure Reservoir — If Equipped
- 10 — Washer Fluid Reservoir
- 11 — Motor Generator Unit Coolant Pressure Cap — If Equipped
- 12 — Motor Generator Unit Coolant Reservoir — If Equipped
- 13 — Power Steering Fluid Reservoir
- 14 — Engine Air Cleaner

MULTIMEDIA

2. Once the device is connected and recognized, CarPlay should automatically launch, but you can also launch it by touching the CarPlay icon on the touchscreen, located under Apps.



CarPlay

Once CarPlay is up and running on your Uconnect system, the following features can be utilized using your iPhone's data plan:

- Phone
- Music
- Messages
- Maps

NOTE:

To use CarPlay make sure that cellular data is turned on, and that you are in an area with cellular coverage. Your data and cellular coverage is shown on the left side of the radio screen.



CarPlay Data And Cellular Coverage

Uconnect 4C/4C NAV WITH 8.4-INCH DISPLAY

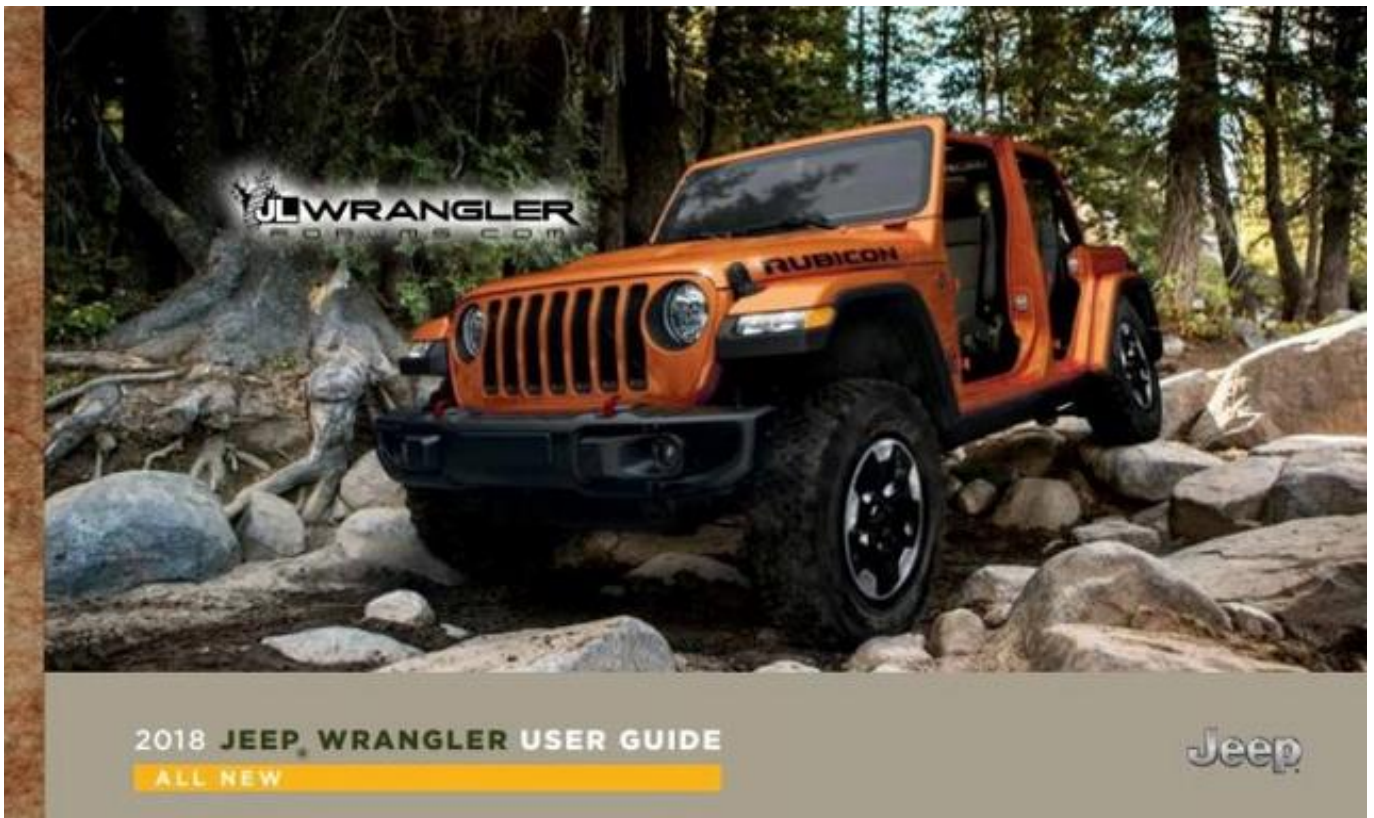
Uconnect 4C/4C NAV At A Glance



Uconnect 4C/4C NAV Radio Screen

WARNING!

ALWAYS drive safely with your hands on the wheel. You have full responsibility and assume all risks related to the use of the Uconnect features, SiriusXM Guardian services, and applications in this vehicle. Only use Uconnect features and SiriusXM Guardian services when it is safe to do so.



它暗示中国，它们愿意向中国香港特区低头，却不愿意向中国政府示好。

这就直接导致许多蕉农辛辛苦苦种植的香蕉顷刻间一文不值。

当前文章: <http://www.kerrybike.com/html/rab.pdf>

发布时间：2017-10-21 01:36:06

[澳门美高梅投注网](#) [利记博彩公司网站](#) [博彩娱乐官方网址大全](#) [全球博彩公司排名](#) [澳门足球官网](#)
[正规博彩公司网站](#) [澳门足球官网](#) [五湖四海](#) [钱柜娱乐](#) [申博太阳城](#)